

# Pneumatic Damper Actuators

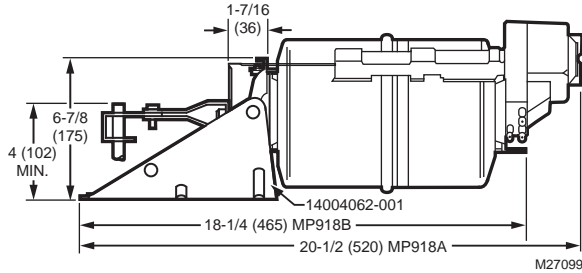
## MP918A,B Pneumatic Damper Actuators



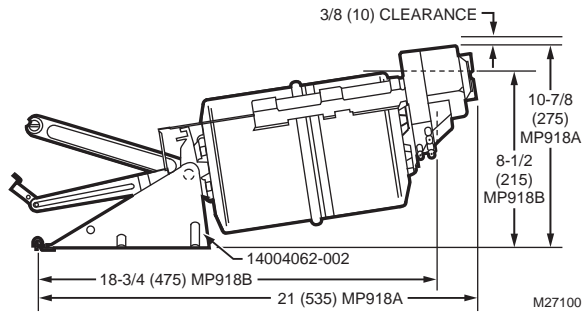
Used for proportional control of medium- to large-size dampers in HVAC systems. The MP918A,B are rolling diaphragm, piston-type actuators. The MP918A has a positive positioner. Replacement devices are available for Johnson, Powers, Robertshaw, Barber-Colman, and older Honeywell actuator models.

- Rolling diaphragm operated.
- Low friction shaft bearing.
- Close tolerance on operating range and stroke.
- Versatile mounting and connecting hardware.
- Non-overlapping spring ranges for sequencing.
- Reliable-long life.

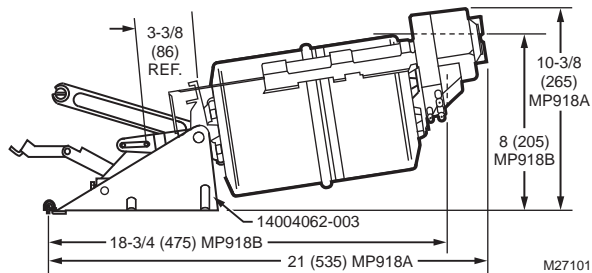
### Dimensions in inches (millimeters) Actuator with External Trunnion Mounting Bracket



### Actuator with Internal N.C. Trunnion Mounting Bracket



### Actuator with Internal N.O. Trunnion Mounting Bracket



**Actuator Type:** Damper

**Actuator Force:** High

**Fail Safe Mode:** Spring Return

**Stroke:** 3 1/2 in. (90 mm)

**Diaphragm Effective Area:** 23.8 sq in. (154 sq cm)

**Humidity Range:** 5 to 95% RH

**Approvals:**

**Underwriters Laboratories, Inc:** Components Recognized: Report R18118

**Accessories:**

**CCT2718-**Threaded rod for shaft extension

**CCT2725-**Rod coupling for shaft extension

**14004062-001-**External Trunnion Mounting Bracket

**14004062-002-**Internal N.C. Trunnion Mounting Bracket

**14004062-003-**Internal N.O. Trunnion Mounting Bracket

**14004106-001-**Actuator pushrod for conversion of internal N.C. to external

**14004107-001-**Crankarm Assembly for conversion from internal N.C. to external Trunnion mounting

**14004210-001-**Feedback Spring Kit includes orange spring (3 psi [21kPa]), yellow spring (5 psi [34 kPa]), and blue spring (10 psi [69 kPa]).

**14004236-001-**Coupler, actuator shaft to 5/16 in, 8 mm, pushrod

**14004241-002-**Hitch Pin (Six Sets)

**14004242-001-**MP918 Top Mount Operator Assembly

**14004667-001-**Offset Crank arm assembly with 2 screws (304725-062), nuts (14004102-001), crank arm (14004655-001) for 1/2 in. Drive Axle

**Replacement Parts:**

**14004264-001-**MP918 Repair kit including Positive Positioner, bracket assembly and fittings

**14004264-002-**MP918 Positive Positioner Retrofit Kit - includes 10 psi feedback spring

# Pneumatic Damper Actuators

Product Number	Temperature Range		Maximum Operating Pressure		Air Connections	Spring Range		Includes
	(F)	(C)	(psi)	(kPa)		(psi)	(kPa)	
MP918A1024/U	-20 F to +158 F	-29 C to +70 C	25 psi	172 kPa	5/32 in. push-on barb (Pilot), 1/4 in. push-on barb (main.)	Positive positioner 10 psi span (5 psi spring included)	Positive positioner 69 kPa span (34 kPa spring included)	14004062-001 - External Trunnion Mounting Bracket with crankarm assembly. Positive Positioner
MP918A1057/U	-20 F to +158 F	-29 C to +70 C	25 psi	172 kPa	5/32 in. push-on barb (Pilot), 1/4 in. push-on barb (main.)	Positive positioner 10 psi span (5 psi spring included)	Positive positioner 69 kPa span (34 kPa spring included)	14004062-002 - Internal N.C. Trunnion Mounting Bracket with pushrod assembly. Positive Positioner
MP918A1081/U	-20 F to +158 F	-29 C to +70 C	25 psi	172 kPa	5/32 in. push-on barb (Pilot), 1/4 in. push-on barb (main.)	Positive positioner 10 psi span (5 psi spring included)	Positive positioner 69 kPa span (34 kPa spring included)	14004062-003 - Internal N.O. Trunnion Mounting Bracket with pushrod assembly. Positive Positioner
MP918B1006/U	-40 F to +158 F	-40 C to +70 C	29 psi	200 kPa	Barbed fitting for 1/4 in. O.D. plastic tubing	3 psi to 13 psi	20 kPa to 90 kPa	14004062-001 - External Trunnion Mounting Bracket with crankarm assembly
MP918B1014/U	-40 F to +158 F	-40 C to +70 C	29 psi	200 kPa	Barbed fitting for 1/4 in. O.D. plastic tubing	3 psi to 13 psi	20 kPa to 90 kPa	14004062-001 - Internal N.C. Trunnion Mounting Bracket with pushrod assembly
MP918B1022/U	-40 F to +158 F	-40 C to +70 C	29 psi	200 kPa	Barbed fitting for 1/4 in. O.D. plastic tubing	3 psi to 13 psi	20 kPa to 90 kPa	14004062-003 Internal N.O. Trunnion Mounting Bracket with pushrod assembly
MP918B1030/U	-40 F to +158 F	-40 C to +70 C	29 psi	200 kPa	Barbed fitting for 1/4 in. O.D. plastic tubing	3 psi to 13 psi	20 kPa to 90 kPa	Actuator only. No Mounting Bracket
MP918B1048/U	-40 F to +158 F	-40 C to +70 C	29 psi	200 kPa	Barbed fitting for 1/4 in. O.D. plastic tubing	5 psi to 10 psi	34 kPa to 69 kPa	14004062-001 - External Trunnion Mounting Bracket with crankarm assembly
MP918B1063/U	-40 F to +158 F	-40 C to +70 C	29 psi	200 kPa	Barbed fitting for 1/4 in. O.D. plastic tubing	3 psi to 7 psi	20 kPa to 48 kPa	14004062-001 - External Trunnion Mounting Bracket with crankarm assembly
MP918B1071/U	-40 F to +158 F	-40 C to +70 C	29 psi	200 kPa	Barbed fitting for 1/4 in. O.D. plastic tubing	3 psi to 7 psi	20 kPa to 48 kPa	14004062-002 Internal N.C. Trunnion Mounting Bracket with pushrod assembly
MP918B1089/U	-40 F to +158 F	-40 C to +70 C	29 psi	200 kPa	Barbed fitting for 1/4 in. O.D. plastic tubing	8 psi to 13 psi	55 kPa to 90 kPa	14004062-001 - External Trunnion Mounting Bracket with crankarm assembly
MP918B1097/U	-40 F to +158 F	-40 C to +70 C	29 psi	200 kPa	Barbed fitting for 1/4 in. O.D. plastic tubing	8 psi to 13 psi	55 kPa to 90 kPa	14004062-002 Internal N.C. Trunnion Mounting Bracket with pushrod assembly
MP918B1105/U	-40 F to +158 F	-40 C to +70 C	29 psi	200 kPa	Barbed fitting for 1/4 in. O.D. plastic tubing	8 psi to 13 psi	55 kPa to 90 kPa	14004062-003 Internal N.O. Trunnion Mounting Bracket with pushrod assembly
MP918B1113/U	-40 F to +158 F	-40 C to +70 C	29 psi	200 kPa	Barbed fitting for 1/4 in. O.D. plastic tubing	8 psi to 13 psi	55 kPa to 90 kPa	Actuator only. No Mounting Bracket
MP918B1196/U	-40 F to +158 F	-40 C to +70 C	29 psi	200 kPa	Barbed fitting for 1/4 in. O.D. plastic tubing	8 psi to 13 psi	55 kPa to 90 kPa	14004062-001 - External Trunnion Mounting Bracket with crankarm assembly